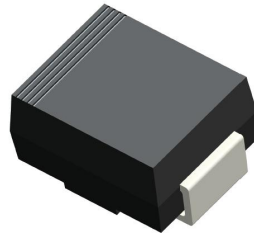


B001, Rev. -

1. Finish Goods PKG photo



2. Packing method

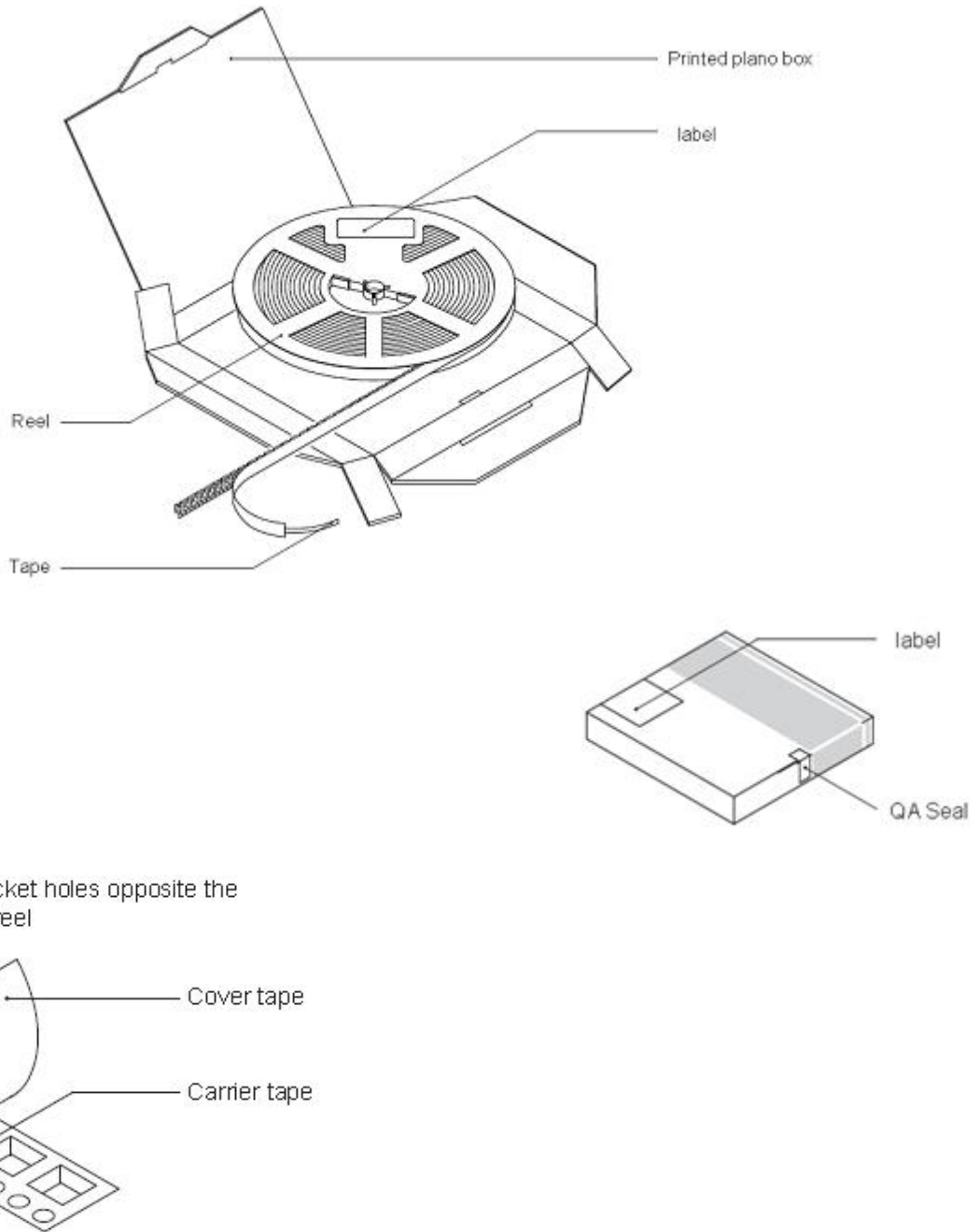


Fig.1- Reel pack for SMD

Table 1. Packing information

Package version	Reel dimensions $\phi \times H$ (mm)	Per Reel (pcs)	Reel Weight (Kg)	Reels per Inner box	Inner box dimensions L×W×H (mm)	Inner box weight (Kg)	Outer box dimensions L×W×H (mm)	Outer box (pcs)	Outer box weight (Kg)
SMA	$\phi 330 \times 18$	5000	0.65	2	335×335×40	1.41	360×350×350	80000	11.7

3. Product orientation

Standard product orientation SMA

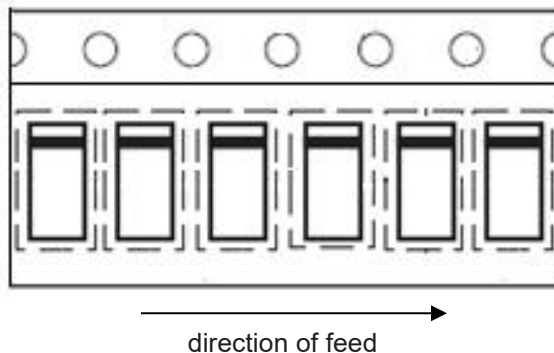
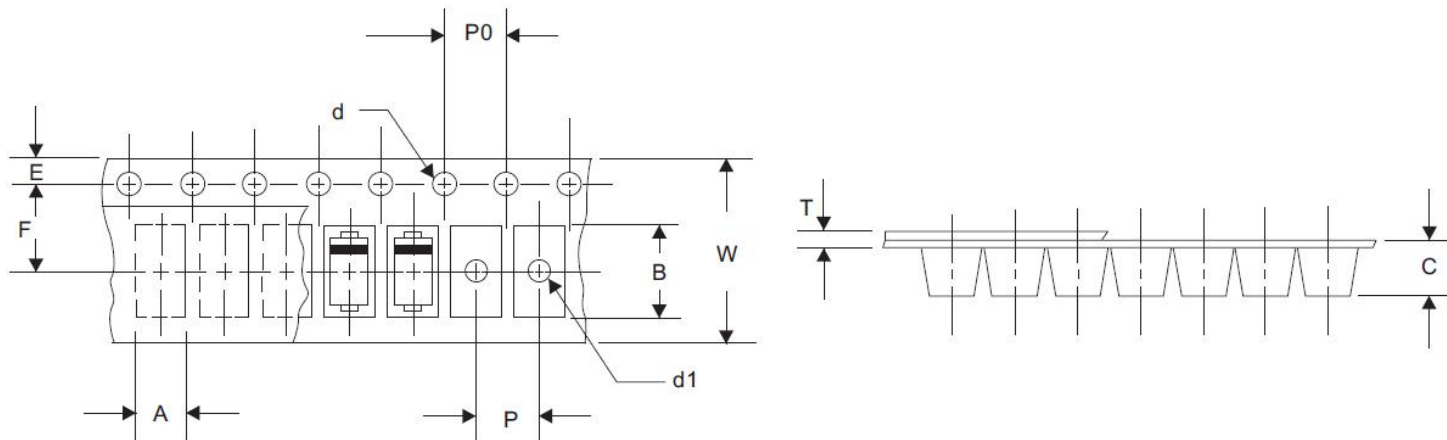


Fig 2. Product orientation in carrier tape

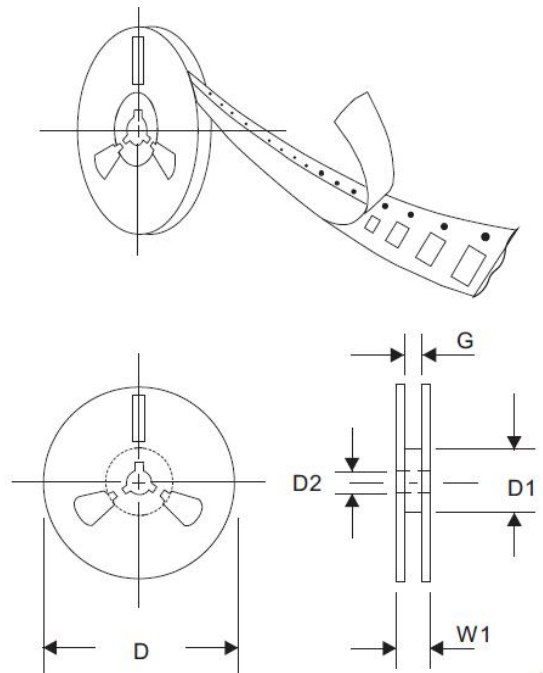
4. Carrier tape dimensions



Dimensions are in millimeter											
Pkg type	A	B	C	d1	d	E	F	P	P0	T	W
SMA	2.79	5.33	2.36	1.50	1.50	1.75	5.50	4.00	4.00	0.30	12.00
(Tolerance)	$\pm 0.1$	$\pm 0.1$	$\pm 0.1$	Max	$\pm 0.1$	$\pm 0.1$	$\pm 0.1$	$\pm 0.1$	$\pm 0.1$	$\pm 0.1$	$\pm 0.3$

Fig 3. Carrier tape dimensions

5. Reel dimensions



Dimensions are in millimeter					
Reel Option	D	D1	D2	G	W1
13"	330.0	72	13.00	12.40	18.00
(Tolerance)	±0.3	min	±0.2	min	min

Fig 4. Reel dimensions